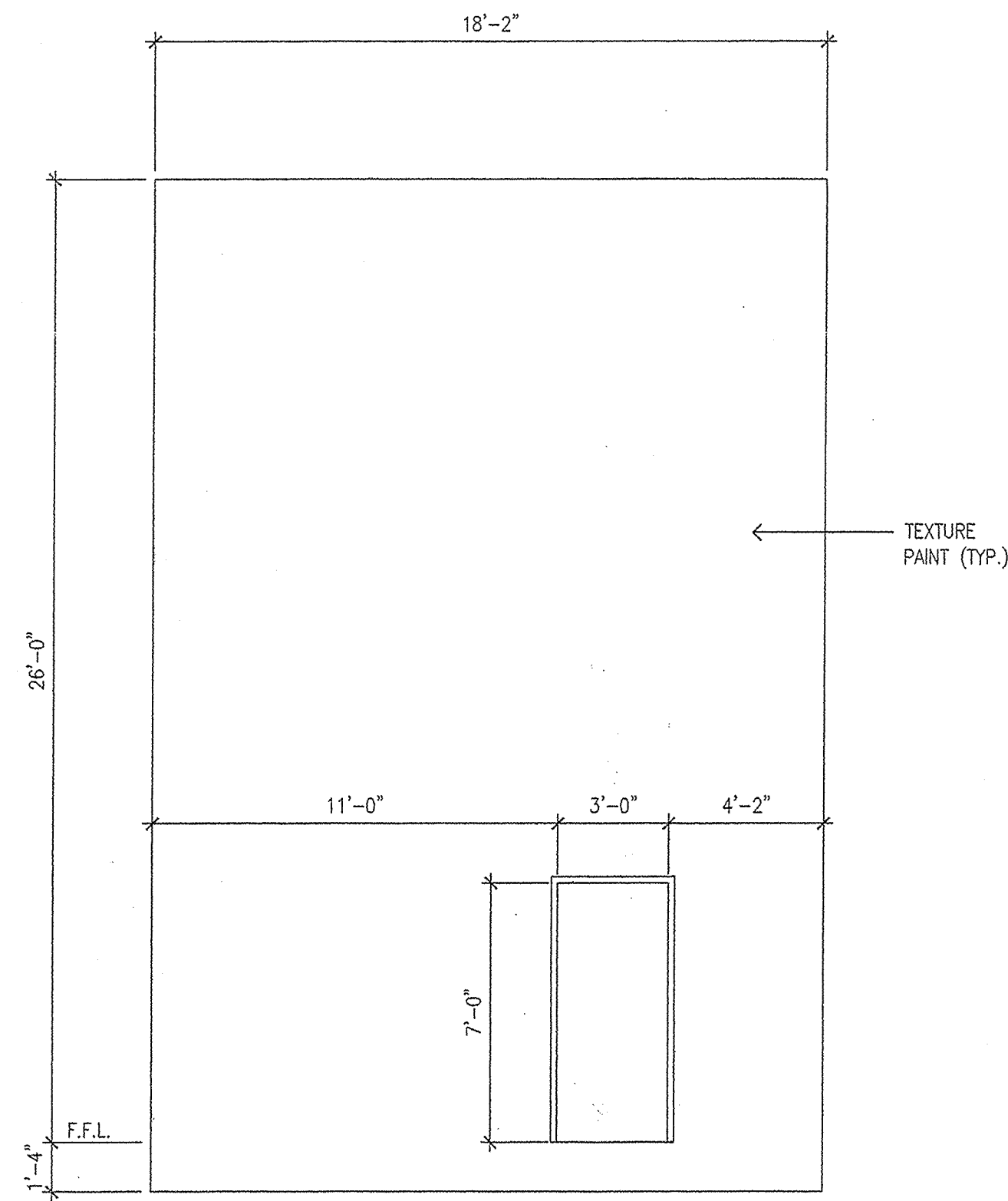
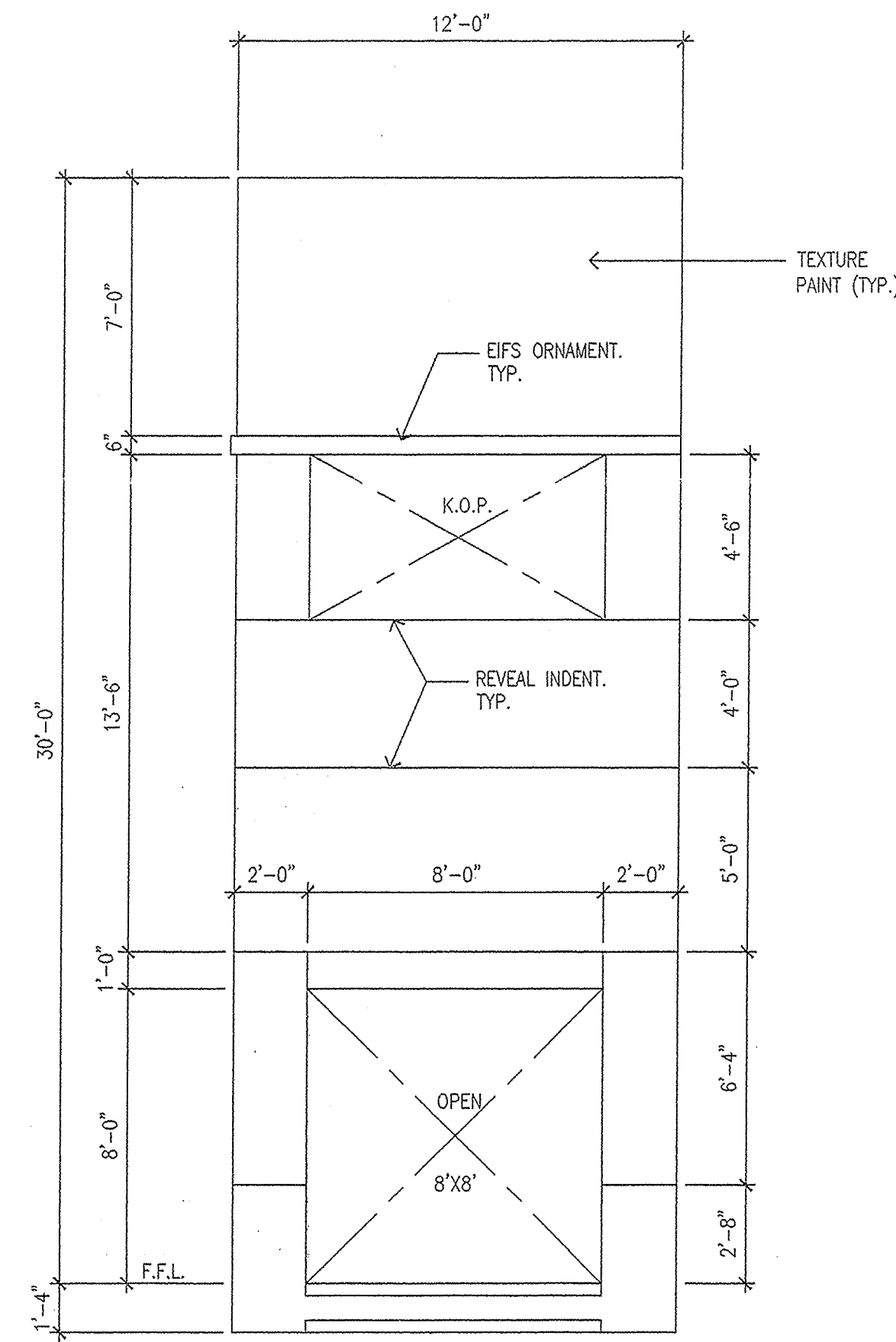


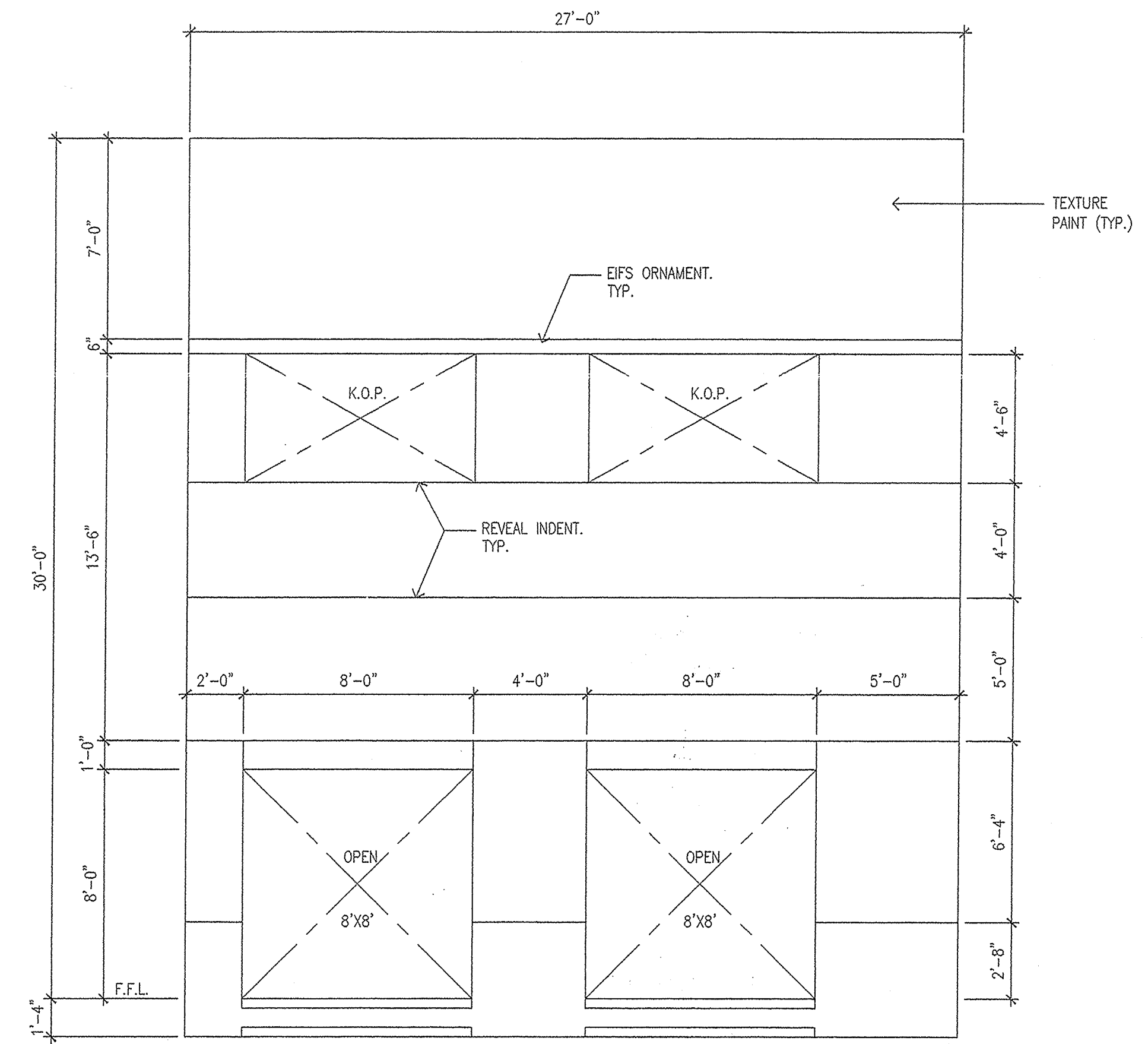
1 PANEL TYPE "S"
A-13 1/4" = 1'-0"



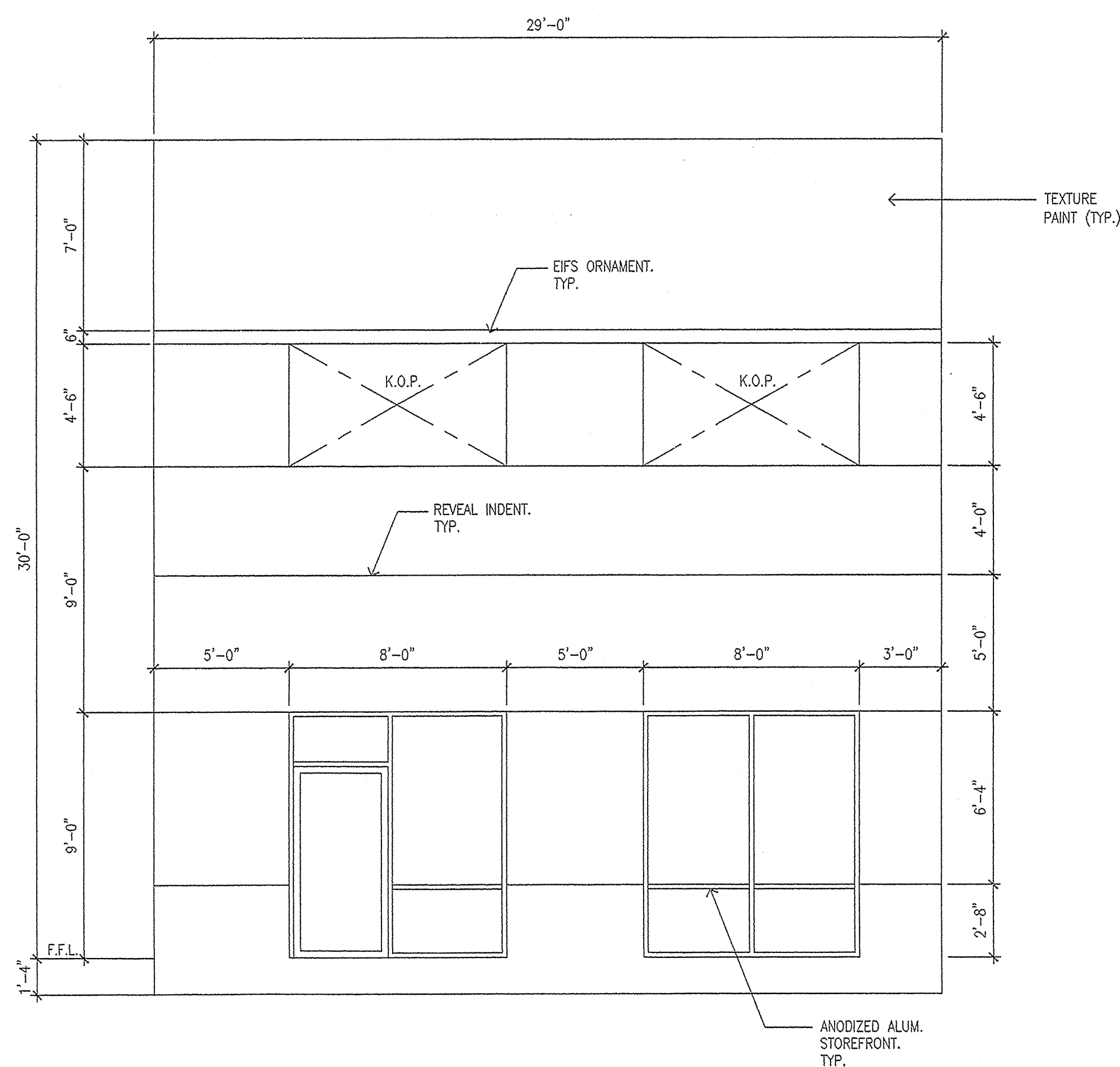
2 PANEL TYPE "T"
A-13 1/4" = 1'-0"



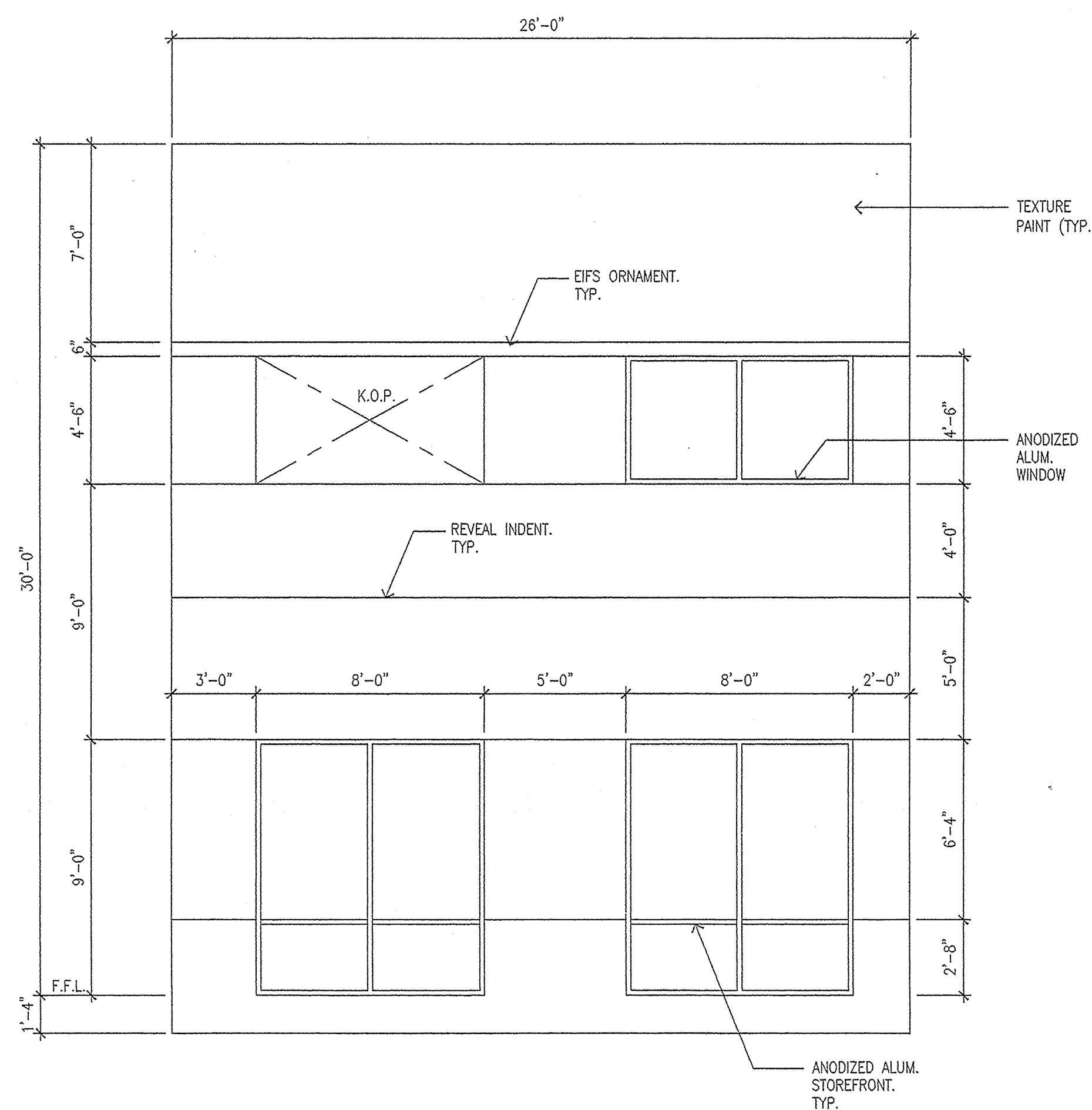
3 PANEL TYPE "U"
A-13 1/4" = 1'-0"



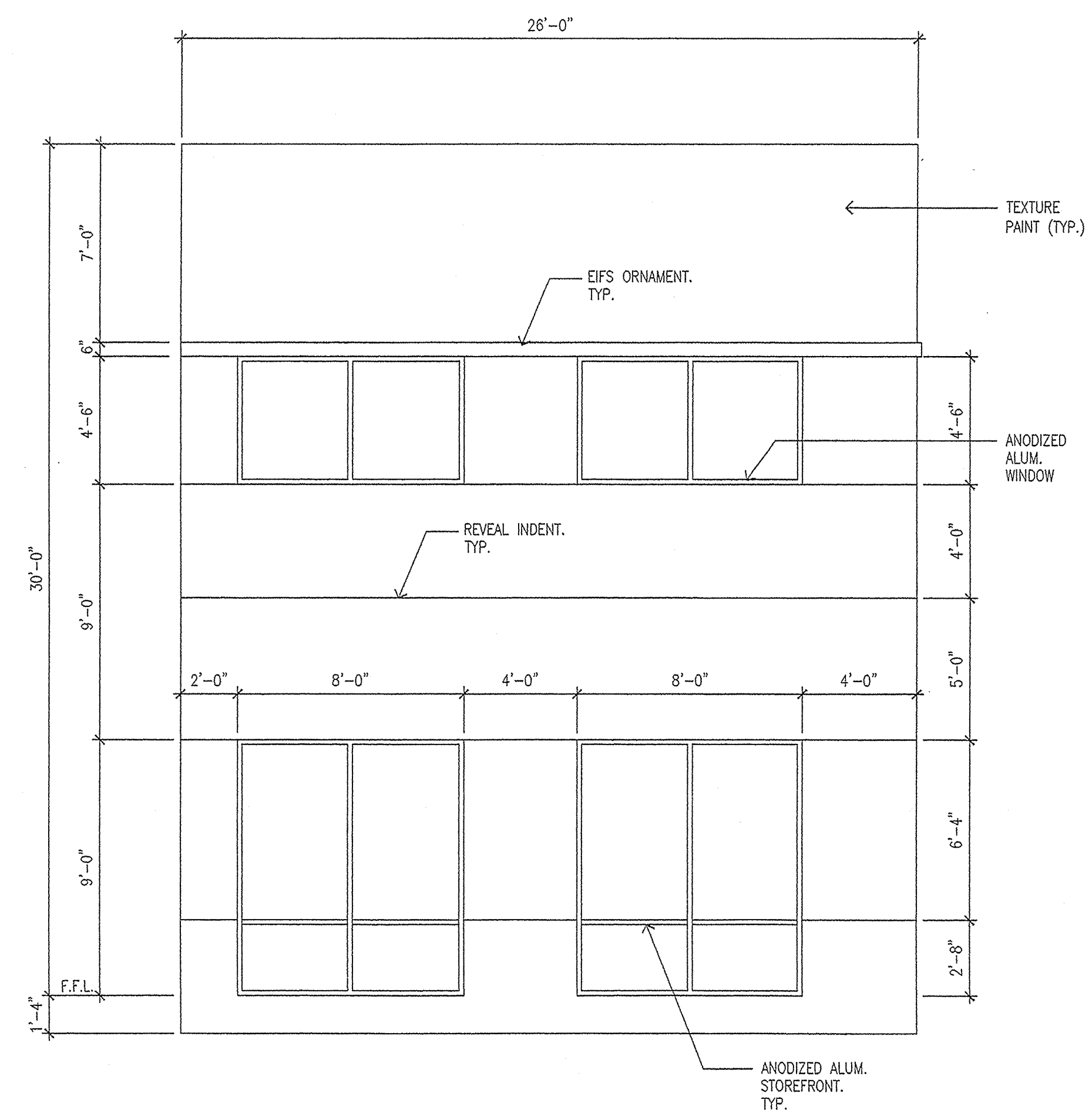
4 PANEL TYPE "V"
A-13 1/4" = 1'-0"



5 PANEL TYPE "W"
A-13 1/4" = 1'-0"



6 PANEL TYPE "X"
A-13 1/4" = 1'-0"



7 PANEL TYPE "Y"
A-13 1/4" = 1'-0"

No.	Description	Date	No.	Description	Date	No.	Description	Date
	FOR PERMIT	3/31/2006						
Revisions								

CKL
ARCHITECTS, INC.
Architecture
Space Planning
Urban Design
15932 C Shady Grove Road
Gaithersburg, MD 20877
Tel: 301.258.4560
Tel: 301.258.4562

Drawn By: RL
Designed By: IKL
Checked By: IKL
Approved By: IKL
Scale:

Notes

Title
CONCRETE PANEL ELEVATIONS
BEST WAREHOUSE LORTON
DEVELOPED BY BEST WU'S L.L.C.
9525 GUNSTON COVE ROAD
FAIRFAX COUNTY, V.A. 22079

Project No.
Drawing Number
A-13