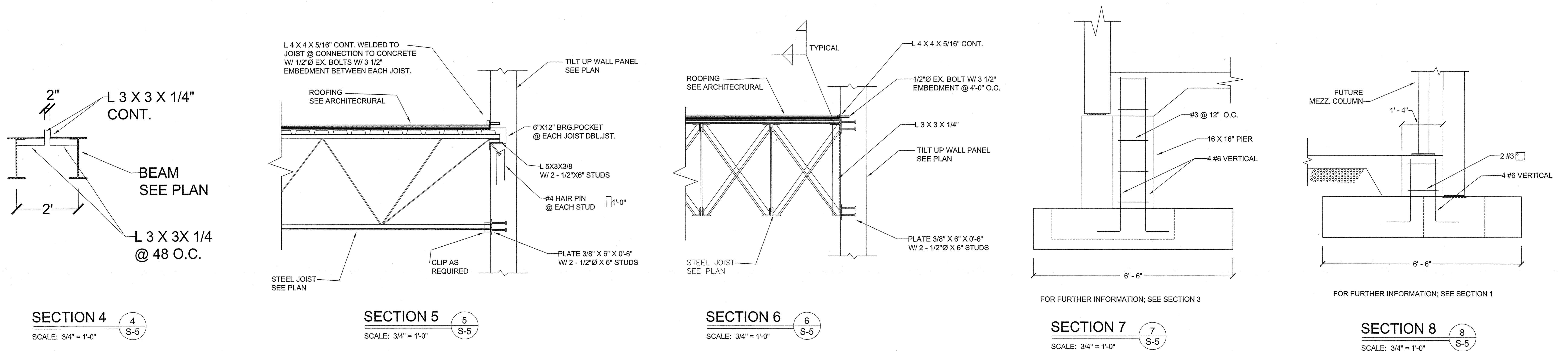


ELECTRIC/SPRINKLER ROOM CEILING FRAMING PLAN

SCALE: 1/8" = 1'-0"



ET&A CONSULTING, INC.
10770 RHODE ISLAND AVENUE
BELTSVILLE, MD 20705
301-931-9130

| No. | Description | Date | No. | Description | Date | No. | Description | Date |
|-----------|-----------------|----------|-----|-------------|------|-----|-------------|------|
| | FOR PERMIT ONLY | 04/06/06 | | | | | | |
| Revisions | | | | | | | | |

CKL
ARCHITECTS, INC.
Architecture
Space Planning
Urban Design
13932 C Shady Grove Road
Gaithersburg, MD 20877
Tel: 301.258.4560
Tel: 301.258.4562

Drawn By: LEVITA
Designed By: ET
Checked By: ET
Approved By: ET
Scale:

Title
BEST FOOD COMPANY
SPRINGFIELD, MD

Project No.
Drawing Number
05202
S-5