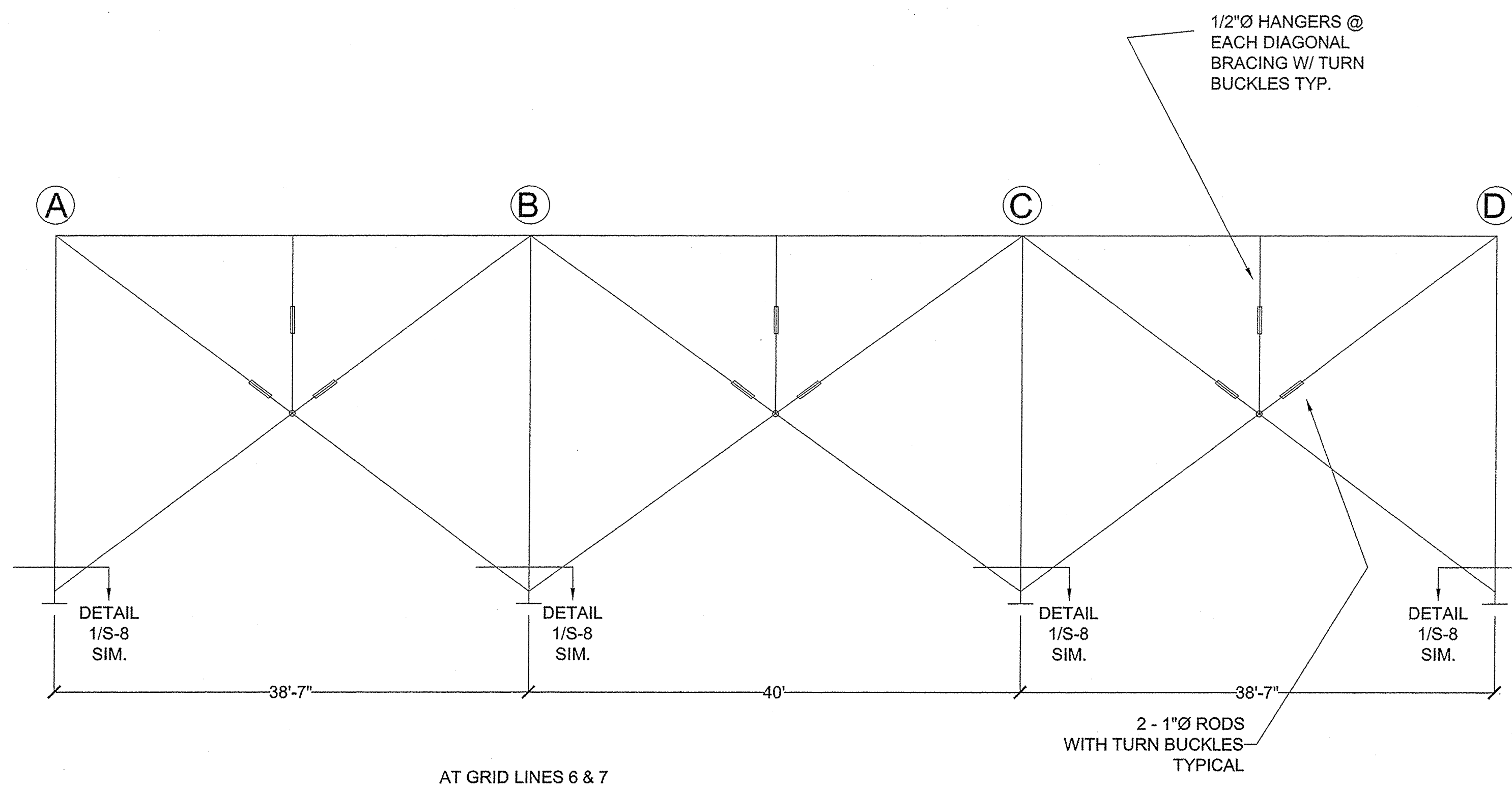


TYPICAL BRACING OF TILT-UP PANELS

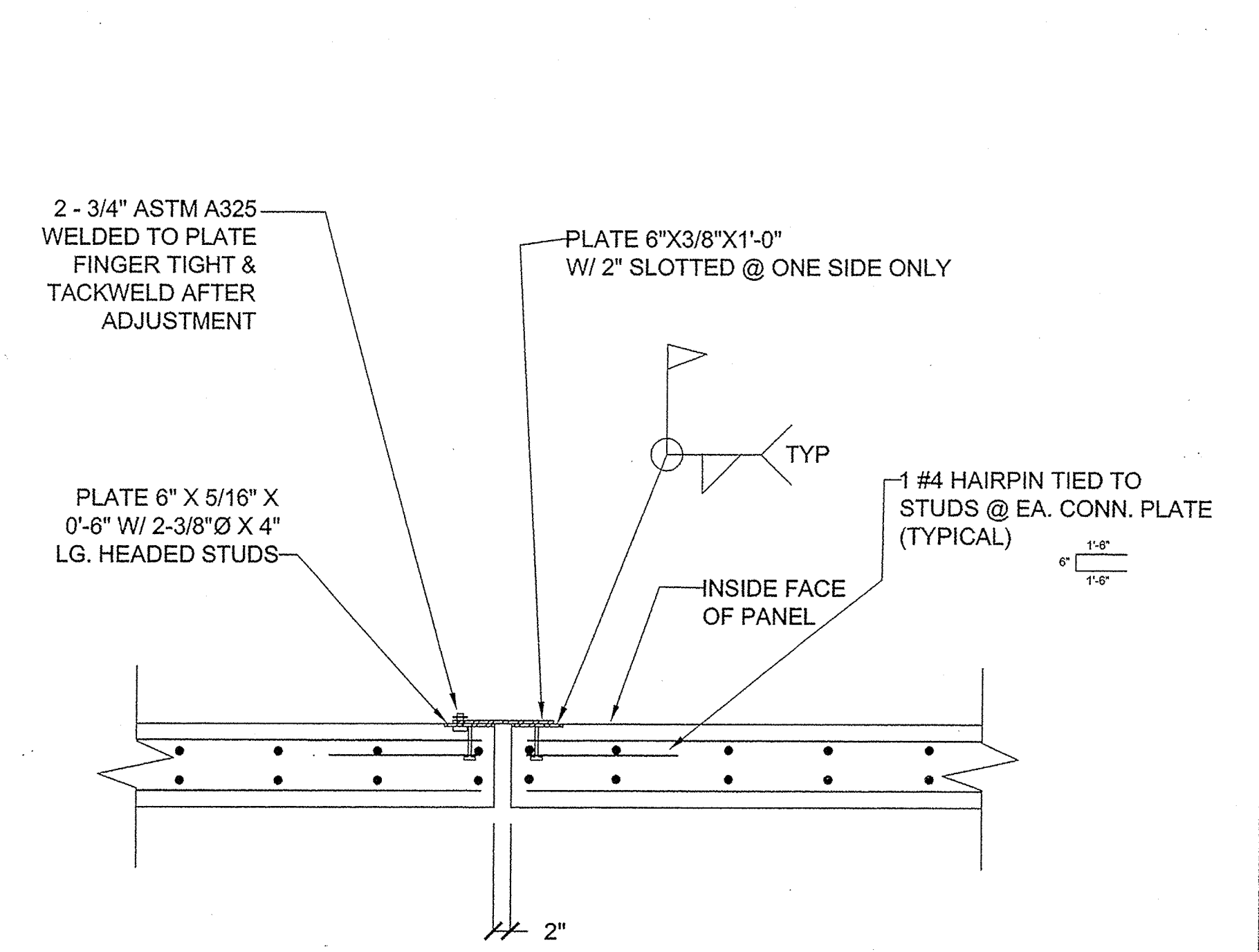
SCALE: NOT TO SCALE

PANEL MANUFACTURER / ERECTOR TO SUBMIT SHOP DRAWINGS DETAILING TYPES AND LOCATIONS OF BRACING AND LIFTING INSERTS.



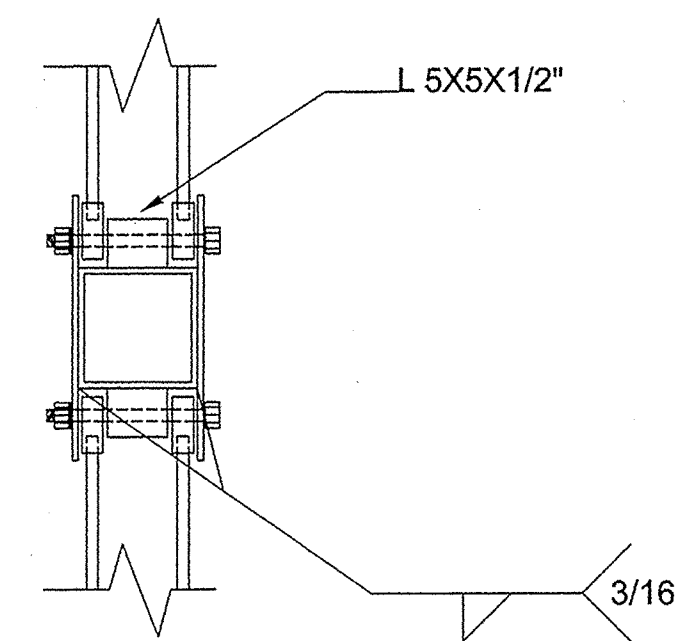
TYPICAL WIND BRACING DETAIL

SCALE: 1/8" = 1'-0"



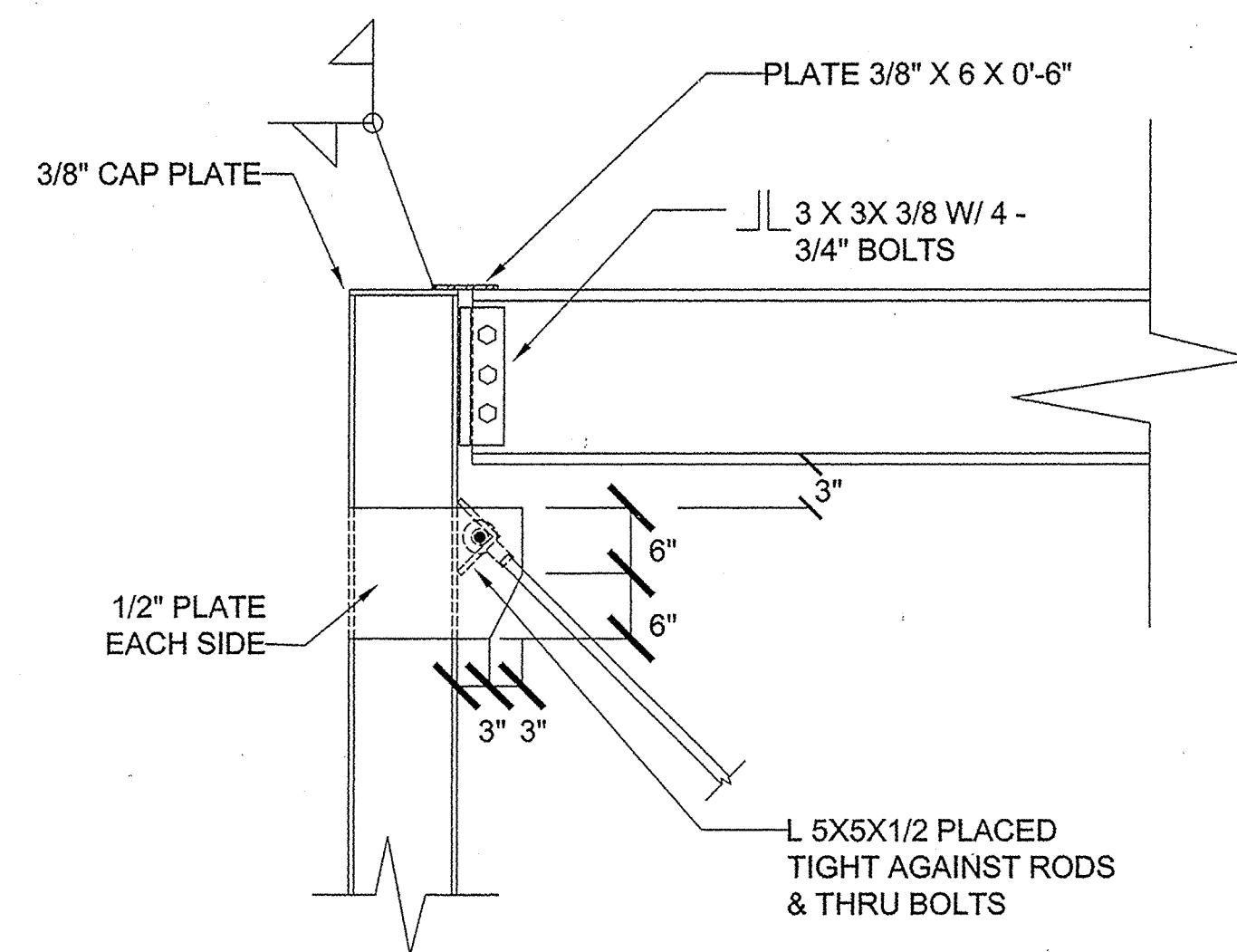
TYPICAL PANEL TO PANEL @ EXPANSION JOINT

SCALE: 3/4" = 1'-0"



DETAIL 1

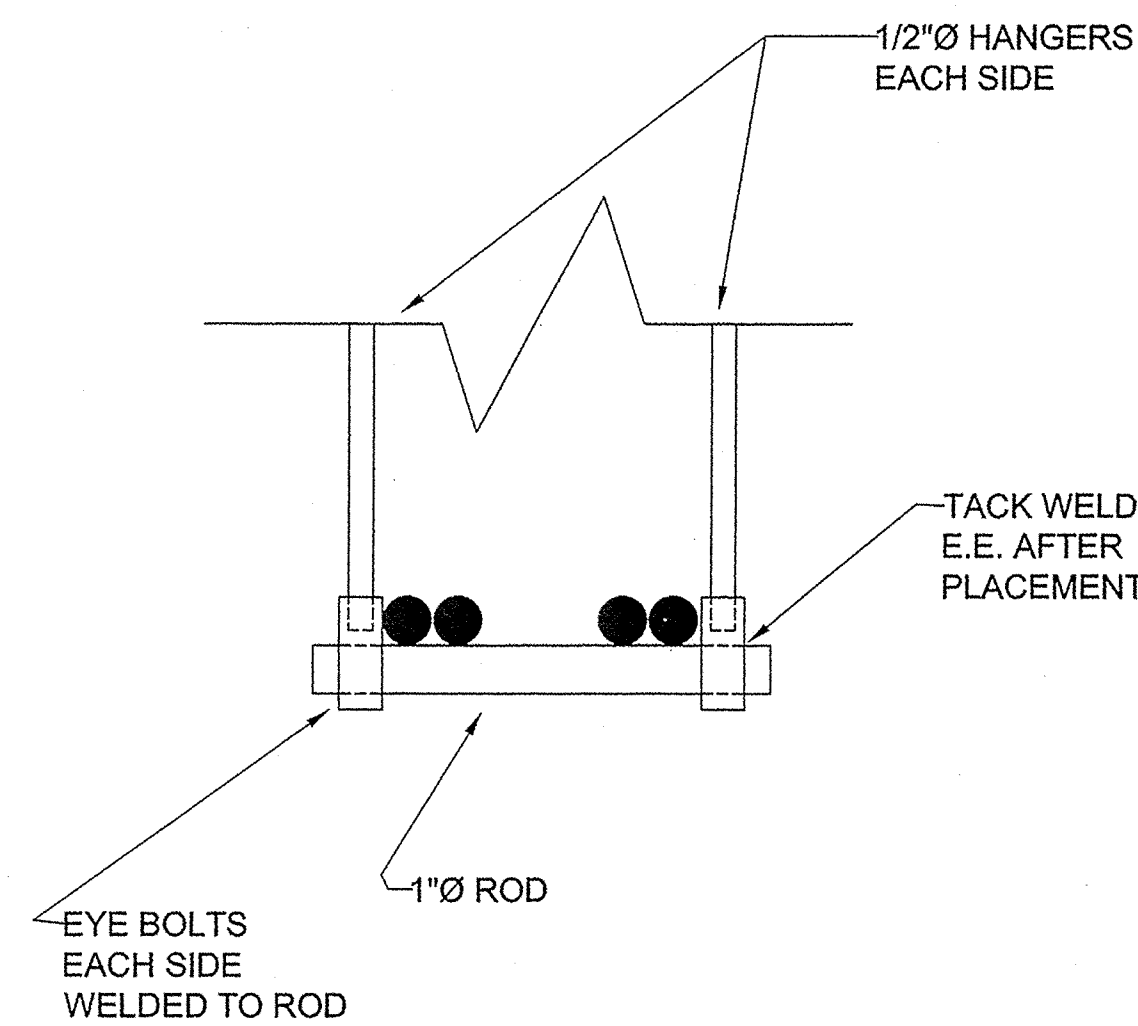
SCALE: 3/4" = 1'-0"



SECTION 2

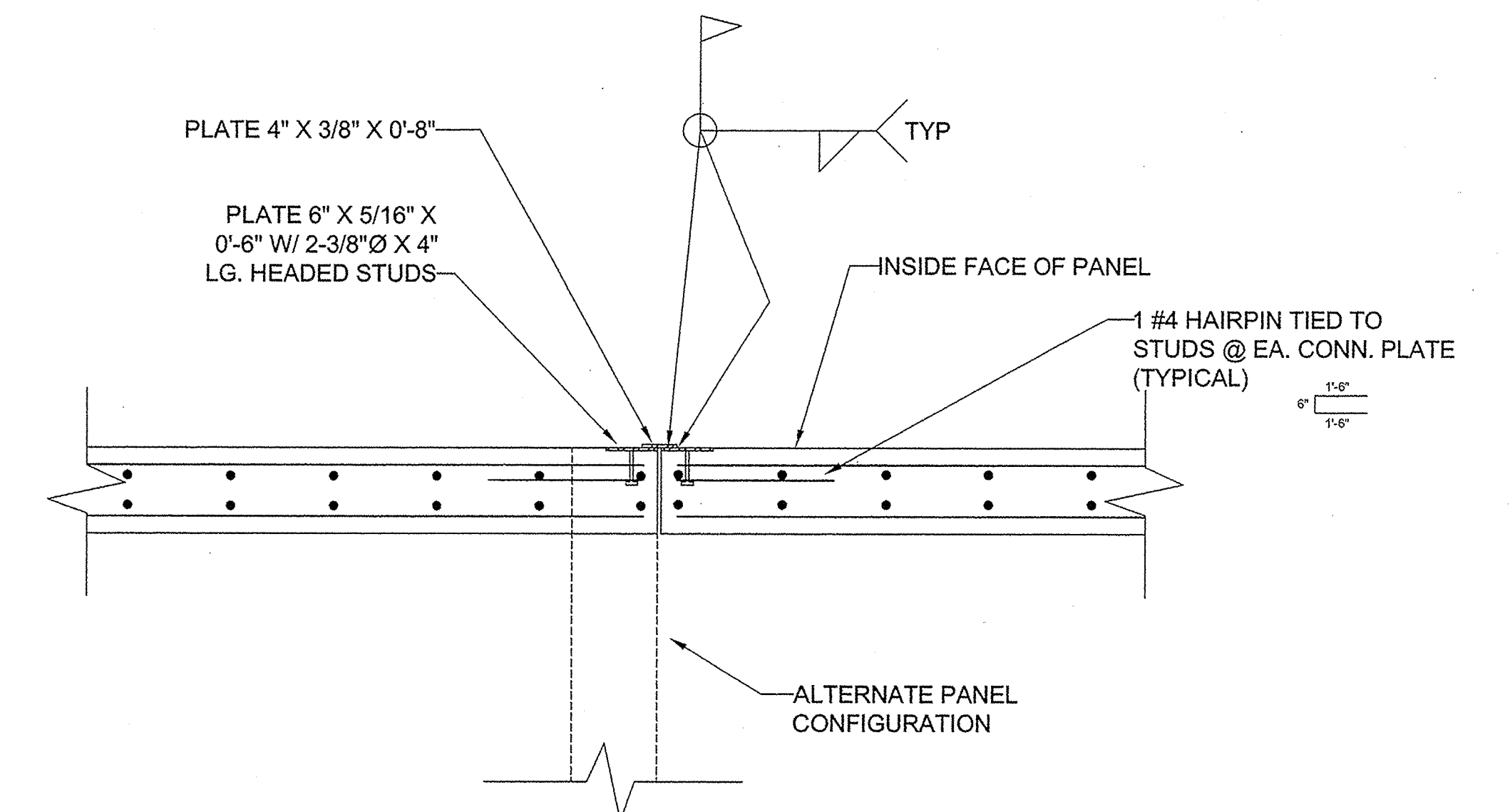
SCALE: 3/4" = 1'-0"

FOR FURTHER INFORMATION; SEE SECTION 1



SECTION 4

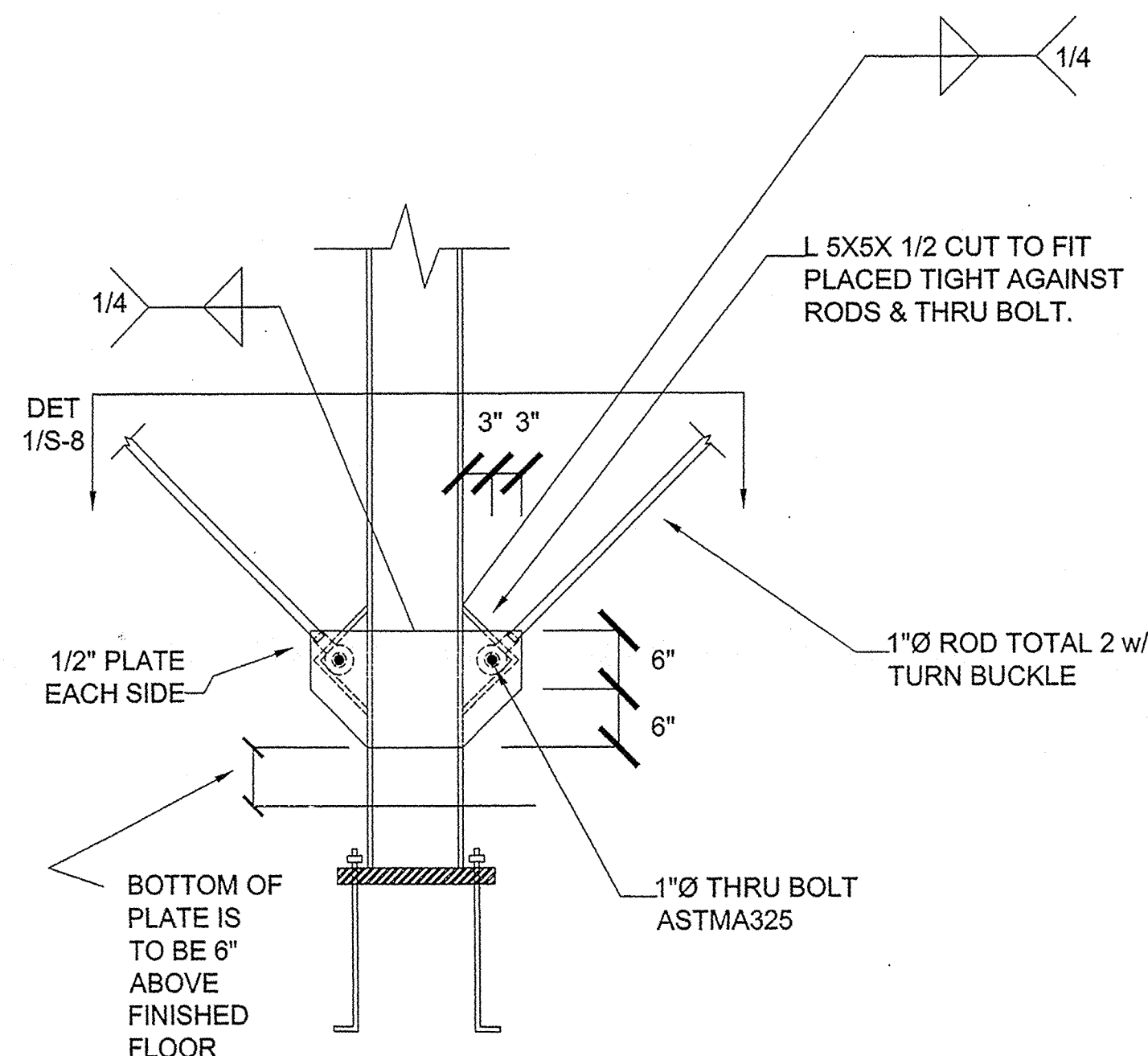
SCALE: 3" = 1'-0"



TYPICAL PANEL TO PANEL CONNECTIONS

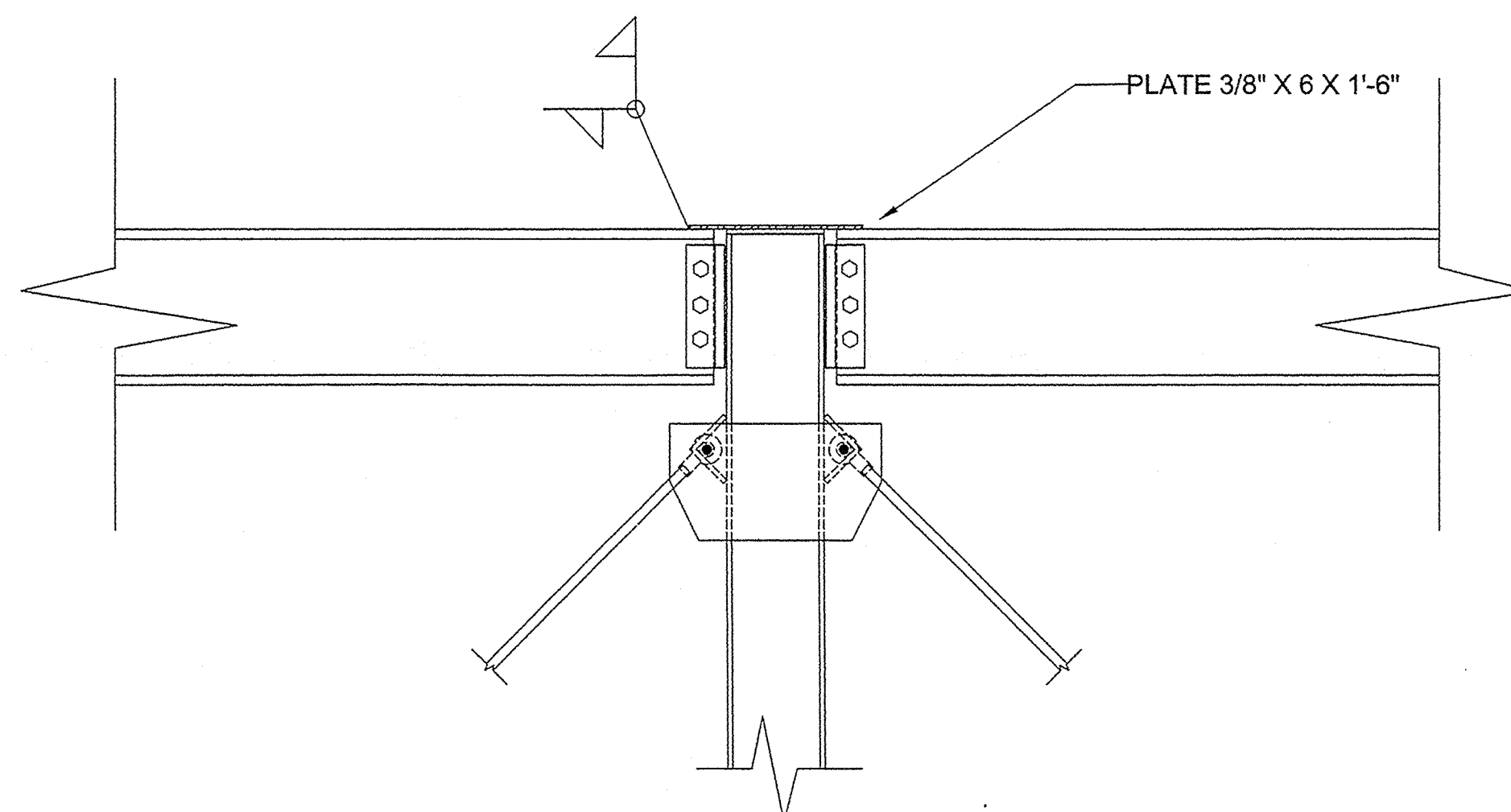
SCALE: 3/4" = 1'-0"

PROVIDE AT 3 LOCATIONS AT EACH PANEL JOINT, UNO - TYPICALLY NEAR TOP OF PANEL AND AT THIRD POINTS (SEE SECTIONS FOR CONNECTIONS AT BOTTOM OF PANEL)



SECTION 1

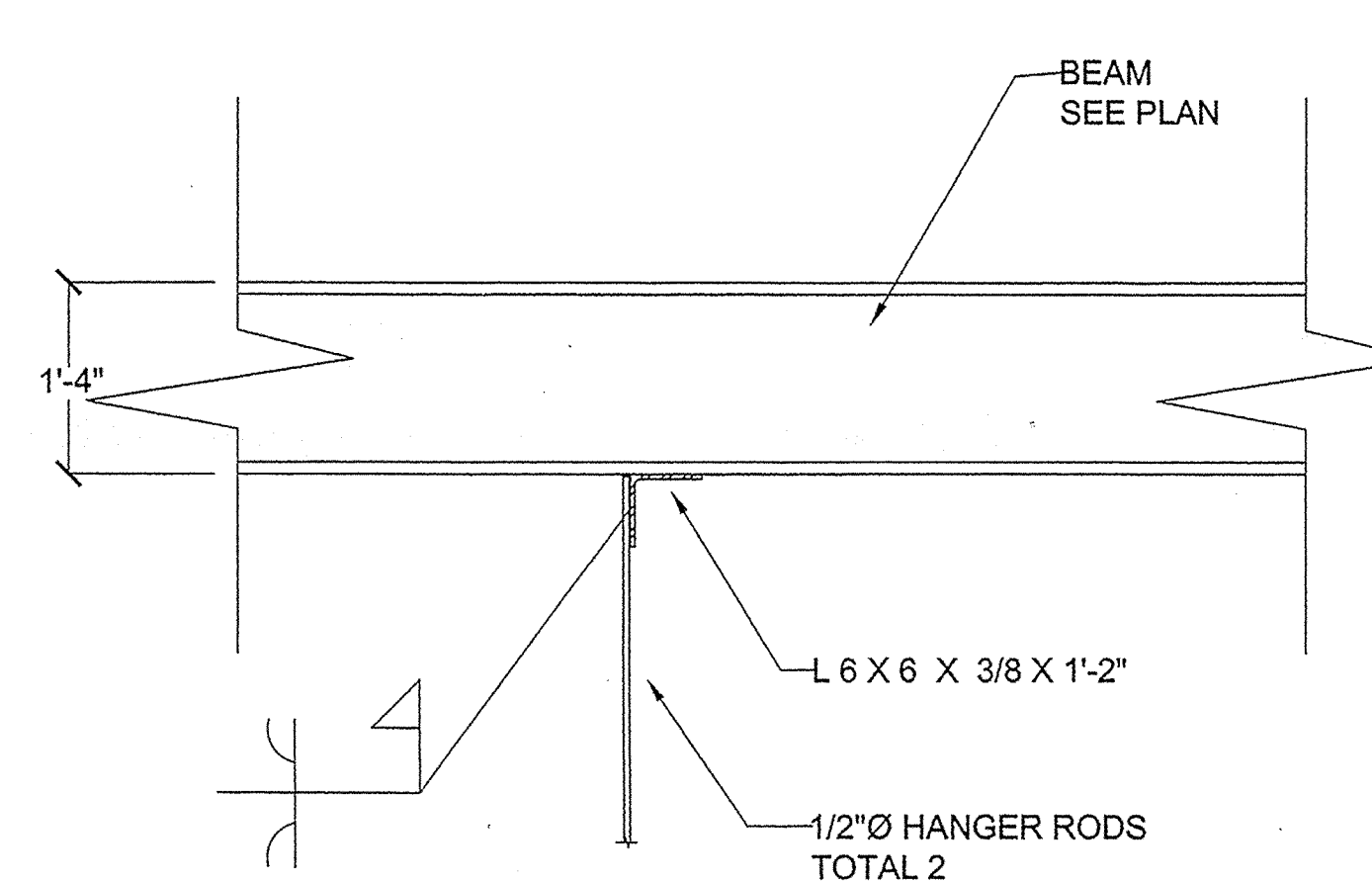
SCALE: 3/4" = 1'-0"



SECTION 3

SCALE: 3/4" = 1'-0"

FOR FURTHER INFORMATION; SEE SECTION 2



SECTION 5

SCALE: 3/4" = 1'-0"

ET&A CONSULTING, INC.
10770 RHODE ISLAND AVENUE
BELTSVILLE, MD 20705
301-931-9130

No.	Description	Date	No.	Description	Date	No.	Description	Date
	FOR PERMIT ONLY	04/06/06						
Revisions								

CKL ARCHITECTS, INC.
Architecture
Space Planning
Urban Design
15932 C Shady Grove Road
Gaithersburg, MD 20877
Tel: 301.258.4560
Tel: 301.258.4562

Drawn By: LEVITA
Designed By: ET
Checked By: ET
Approved By: ET
Scale:

Project No.
Drawing Number
05202 S-8
BEST FOOD COMPANY
SPRINGFIELD, MD