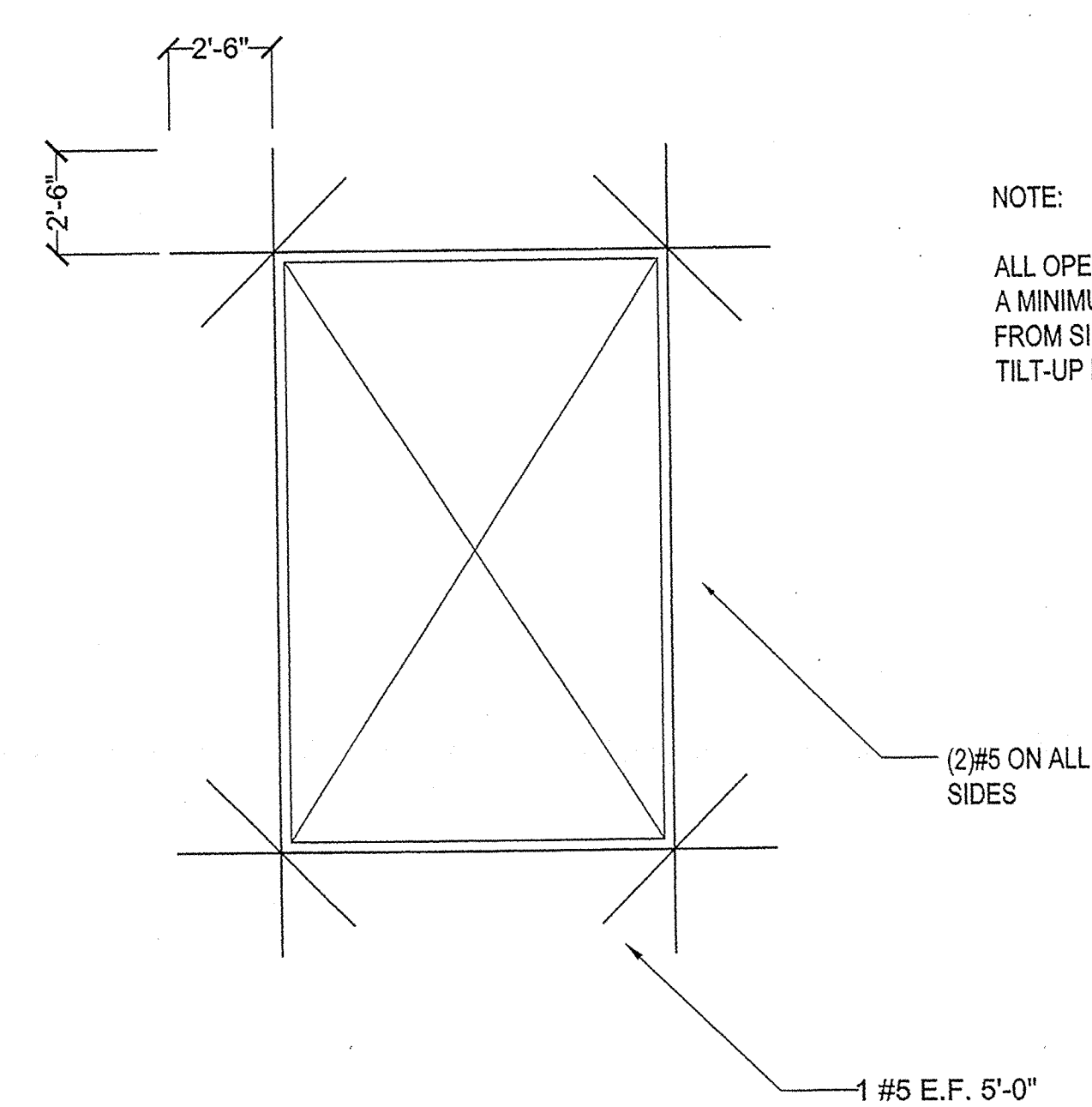


**NOTE:**

**SITE CAST TILT-UP CONCRETE WALL PANELS NOTES**

1. - SEE GENERAL NOTES FOR CONCRETE, REINFORCEMENT BARS, AND EMBEDDED PLATE SPECIFICATIONS.
2. - UNLESS NOTED OTHERWISE, THE DRAWN VIEW OF THE PANELS ARE FROM THE OUTSIDE AND SHALL BE CAST WITH EXTERIOR FACE DOWN.
3. - REINFORCING SHOWN IS IN ADDITION TO TYPICAL PANEL REINFORCING.
4. - THE GENERAL CONTRACTOR SHALL REVIEW AND VERIFY ALL BEAM, JOIST GIRDER AND JOIST POCKET LOCATIONS, PANEL AND OPENING DIMENSIONS, WELD PLATE AND OPENING LOCATIONS, NAILERS, FORMWORK, AND COORDINATE THE PANEL CONSTRUCTION WITH WORK OF OTHER TRADES.
5. - FORM CHAMFERS AT ALL EXPOSED EDGES OF PANELS, EXCEPT AT THE INSIDE FACE OF OVERHEAD DOORS. SEE ARCHITECTURAL DRAWINGS FOR CHAMFERS, REVEALS, PANEL FINISHES, ECT.
6. - THE PANEL DESIGNS ARE FOR THE IN-SERVICE CONDITIONS ONLY. THE GENERAL CONTRACTOR IS RESPONSIBLE FOR CONSTRUCTION METHODS INCLUDING THE PANEL LIFTING DESIGN AND INSTALLATION METHOD. CONTRACTOR SHALL DISTRIBUTE CRANE LOADS TO SLABS AND OTHER PERMANENT BUILDING ELEMENTS IN A MANNER TO PREVENT DAMAGE TO ANY ELEMENTS.
7. - PATCH AND FINISH LIFTING INSERTS VISIBLE AFTER FINAL CONSTRUCTION. PATCH AND FINISH IS SUBJECT TO THE APPROVAL OF THE ARCHITECT.
8. - PROVIDE TEMPORARY BRACING OF PANELS UNTIL CONSTRUCTION IS COMPLETE ON THE SLAB POUR STRIP AND ROOF DIAPHRAGM.
9. - DOOR OPENINGS SHOWN ARE ROUGH CONCRETE OPENINGS. REFER TO THE ARCHITECTURAL DRAWINGS AND PROJECT SPECIFICATIONS FOR OTHER REQUIREMENTS.



**NOTE:**  
ALL OPENINGS ARE TO BE A MINIMUM OF 2'-6" AWAY FROM SIDE EDGE OF TILT-UP PANEL.

**TYPICAL WALL OPENING DETAIL**

SCALE: 1/4" = 1'-0"

ET&A CONSULTING, INC.  
10770 RHODE ISLAND AVENUE  
BELTSVILLE, MD 20705  
301-991-9130

No.	Description	Date	No.	Description	Date	No.	Description	Date
	FOR PERMIT ONLY	04/06/06						
Revisions								

**CKL**  
ARCHITECTS, INC.  
Architecture  
Space Planning  
Urban Design  
15932 C Shady Grove Road  
Gaithersburg, MD 20877  
Tel: 301.258.4560  
Tel: 301.258.4562

Drawn By: LEVITA  
Designed By: ET  
Checked By: ET  
Approved By: ET  
Scale:

Title **PANEL ELEVATIONS (1/8" = 1'-0")**  
BEST FOOD COMPANY  
SPRINGFIELD, MD

Project No.  
Drawing Number  
**05202**  
**S-7**